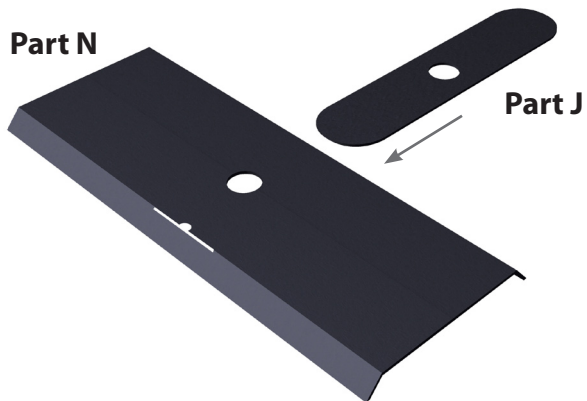


ADDENDUM

INSTRUCTIONS - STEP 1

NOTE: Pre-assemble **Part N & Part J** by sliding **Part J** into the slots on either side of **Part N**. (See Figure 1)



- 1 - First slide one of the **Part C** (Rubber Washers) over the bottom end of **Part B** (Center Pole). Next insert the Center Pole (Part B) into the center hole of **Part N**. Then insert **Part H** (Base Insert Tube) into the center hole of the **Base Part L**. **Figure 1**.

Now insert the bottom end of **Part B** into the top of the center hole of the Base **Part L** and proceed to **Step 2** of the instructions.

IMPORTANT: The Perfect Swing Batting Stick has a Safety Strap connecting the ball cover to the fiberglass rod, if this strap becomes damaged or broken discontinue use to avoid damage or injury. Always inspect the Sandlot 2-in-1 for damaged or broken parts and contact Heater Sports for service and support.
Toll Free: 1-800-492-9334
or Visit www.HeaterSports.com.

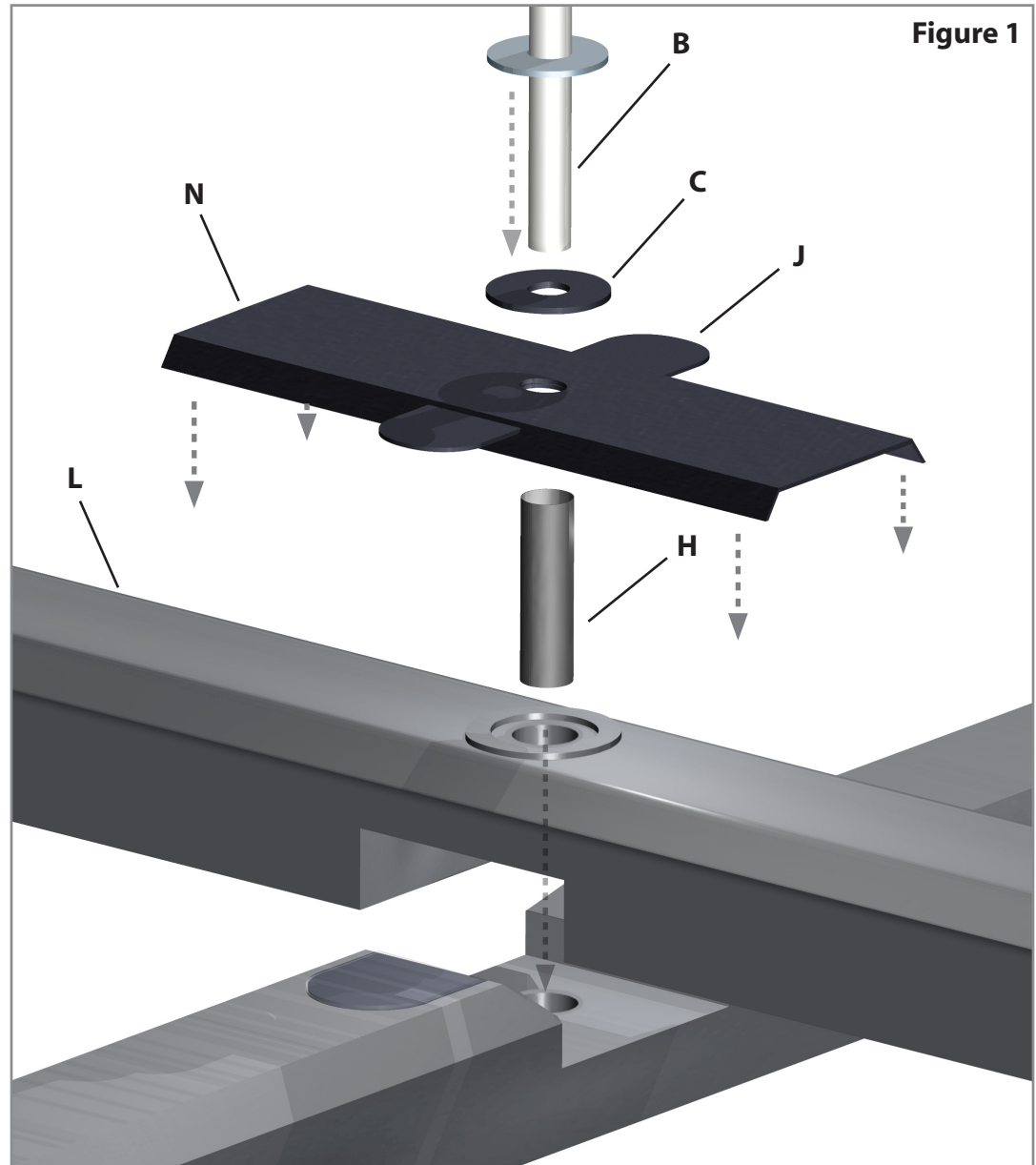


Figure 1